

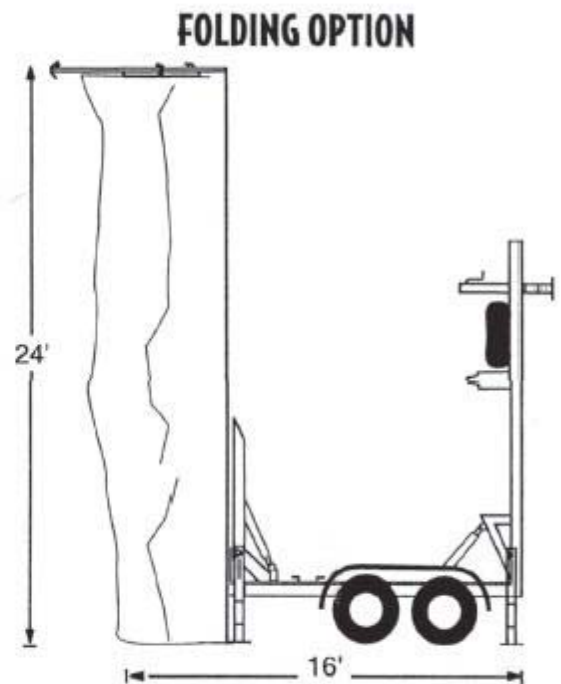
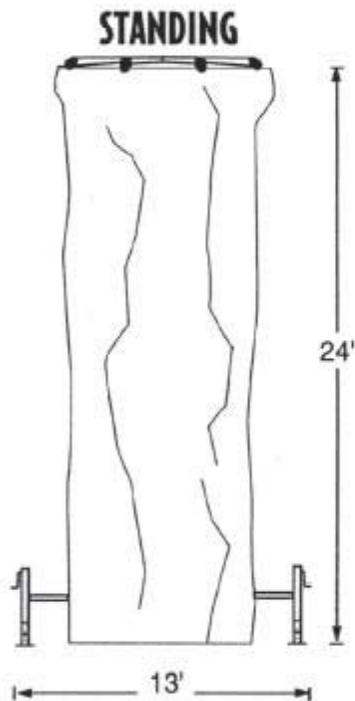
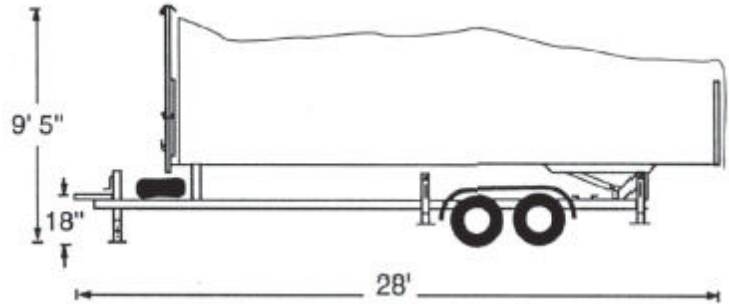
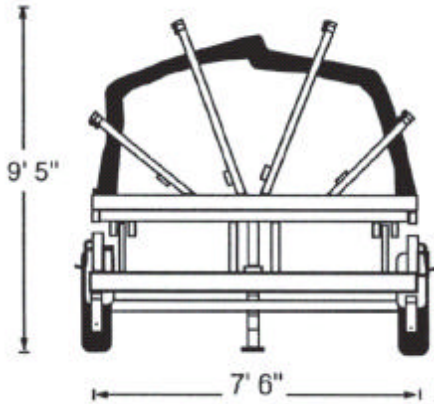
# 7.3m (24ft) Mobile Trailer Unit

## SPECIFICATIONS

- Weight: 5,000 lbs
- 20 Minute set-up time (2 people)
- Tongue Weight 250lbs  
4' When standing

## MOBILE REQUIREMENTS

- 2 " Ball (Class III Hitch)
- 7 Wire Plug
- Electric Brake Controller required in Vehicle



- Not to Scale -